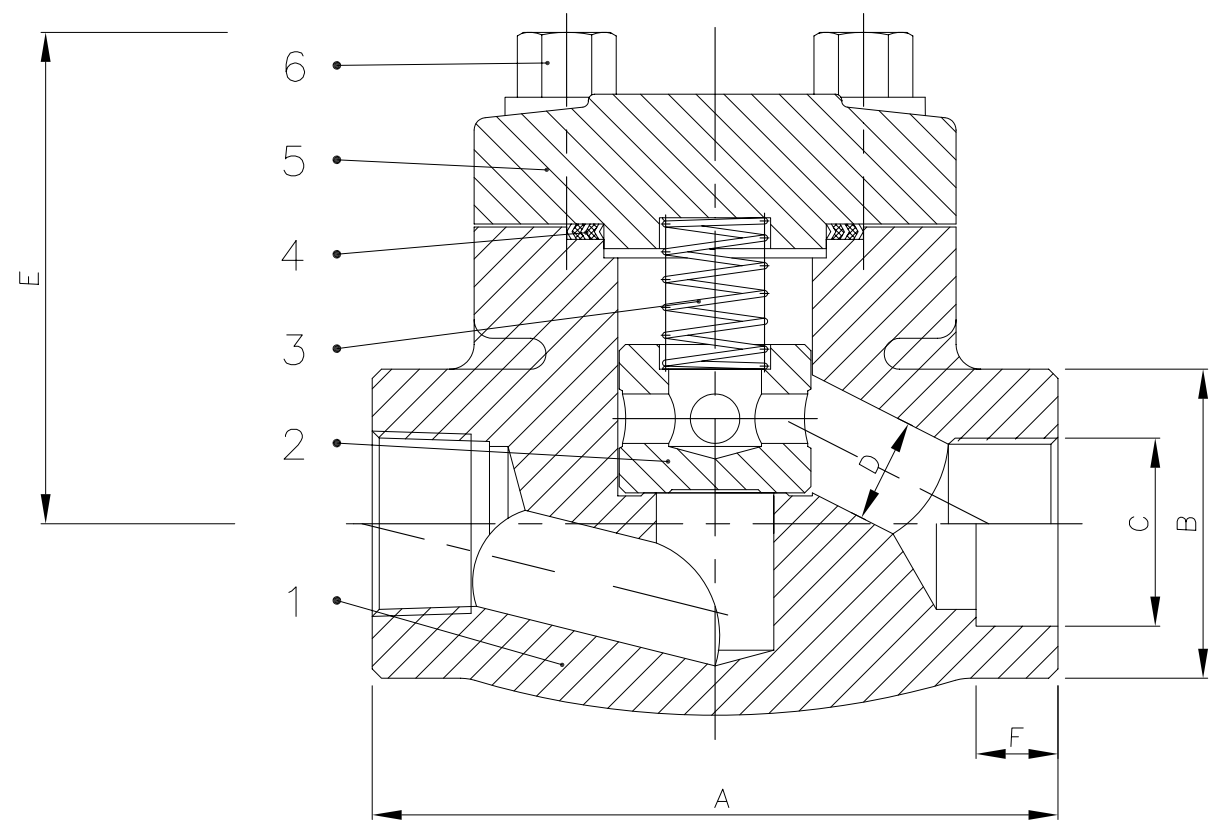


BILL OF MATERIALS				
NO.	Part Name	Materials	Materials	Notes
6	Bolt	A193 B8	A193 B7	3.
5	Bonnet	A182 F316	A105	2,
4	Gasket	304SS+Graphite	304SS+Graphite	
3	Spring	A276 304	A276 304	4
2	Disc	A182 F316	A276 420	1, 2,
1	Body+Seat*	A182 F316	A105	1, 2,

*: Seat integral

- Notes:
1. Stellite available – dependant on quotation
 2. (L) low carbon materials available dependant on quotation
 3. NACE (M) bolting available – dependant on quotation
 4. Optional



NB	DN	A	B	D	C	E	F	G	Wgt
1/2"	15	79	32	10	21.7	63	10		1.3
3/4"	20	92	38	13	27.1	64	13		1.4
1"	25	111	48	17	33.8	79	14		2.4
1 1/2"	40	152	65	27	48.6	105	14		7.4
2"	50	172	78	33	61.1	124	16		9.0

MATERIALS TO NACE MR0175 LATEST EDITION (WETTED PARTS).

DESIGN CODE	API 602/ANSI B16.34	TEST PRESSURES		
FACE TO FACE DIMENSIONS	ANSI B 16.10	BODY	211.0	Barg
ENDS FLANGES DIMENSIONS	ASME B16.5	SEAT	155.0	Barg
TESTING CODE	API 598	BACKSEAT	155.0	Barg
		AIR - SEAT	6.0	Barg

REV	DATE	DESCRIPTION	BY	CHK	APP	SCALE:		
						DRAWN	DM	DATE: 14/12/10
						CHECKED	SMN	DATE
						APPROVED	AW	DATE


Materials available include: Duplex & Super Duplex
Monel, Inconel, Chrome-moly

DRAWING TITLE:
API FORGED, CLASS 800
BOLTED COVER, SW/NPT, PISTON CHECK VALVES

CLIENT: .

VENDOR PO REF: .

EVC REF: .



CAD. No. DRAWING NUMBER: 120213 REV 00

AREA No. FACILITY TYPE SEQ. No. SHT. No.